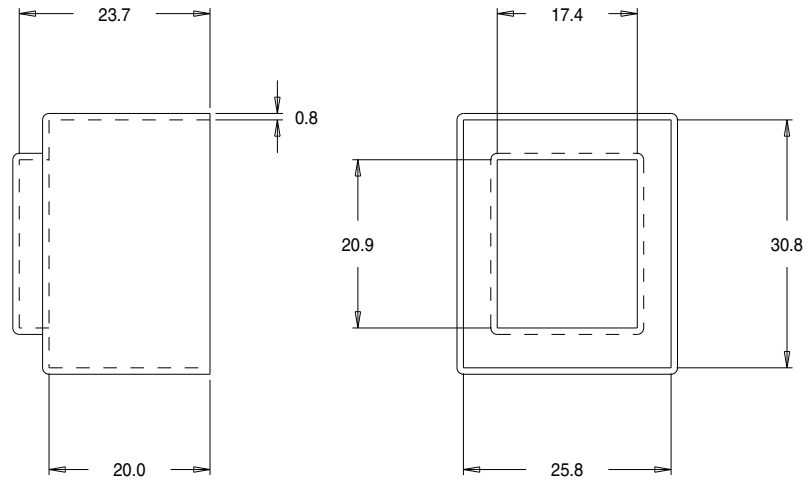


Part No. M00490  
E130 x 12.5 'M' Range Box



Dimensions in millimetres.



Issue 1